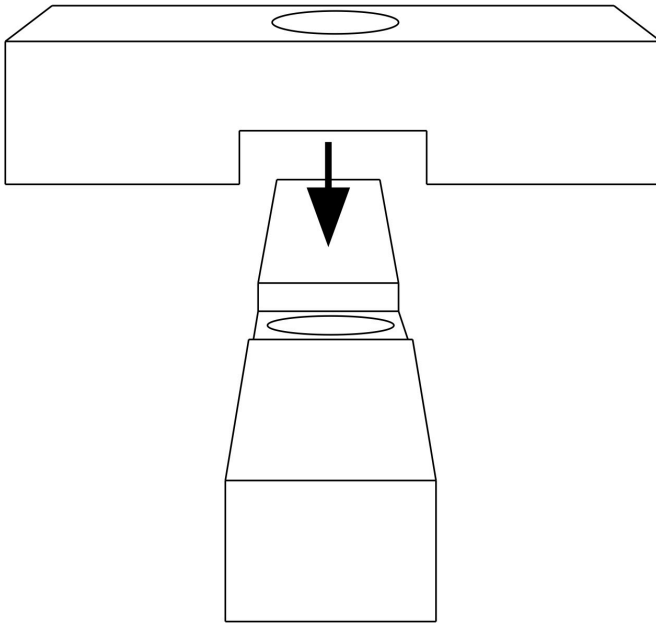


SETUP

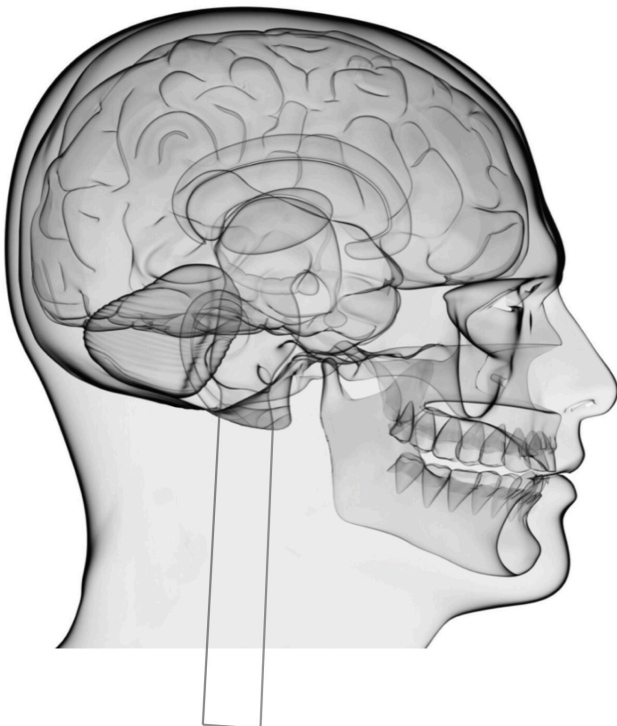
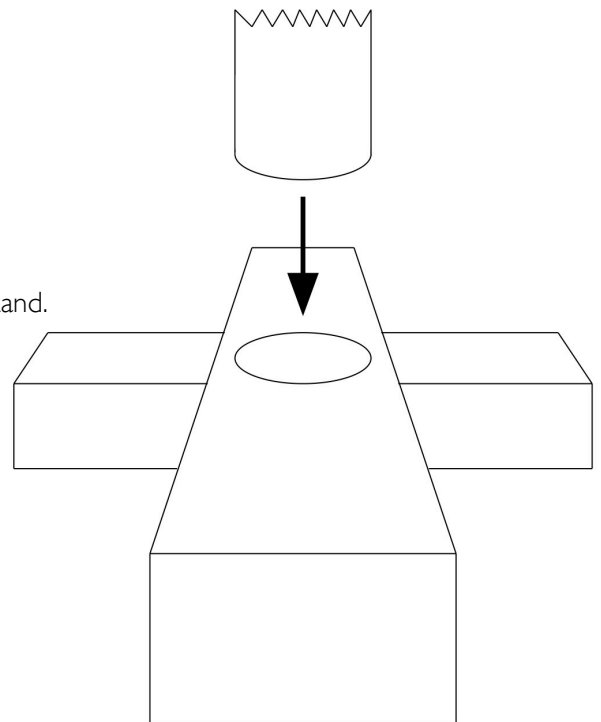
BUILDING YOUR STAND

Slot together both parts of your stand and press down firmly to ensure it is stable.



SEATING THE TARGET

Slot the base of the Ballistic Sim Head into the pre-drilled hole in the stand.



USING YOUR TARGET

Once seated and on a flat surface, your target is ready for use. This target can be used on its own or in conjunction with PPE. Ensure your target is at a safe distance from the shooter and follow standard backstop precautions. This target contains a liquid blood stimulant which can stain clothing and porous surfaces. Request consent from the range officer before using.

NOTE: You may wish to secure the stand further for larger projectiles or explosive testing. This can be done by strapping the base down.